



433.92 MHz - FSK TRANSMITTER – Antenna on-board

12V VERSION
5V VERSION

p. n. 3-2000272
p. n. 3-2000279

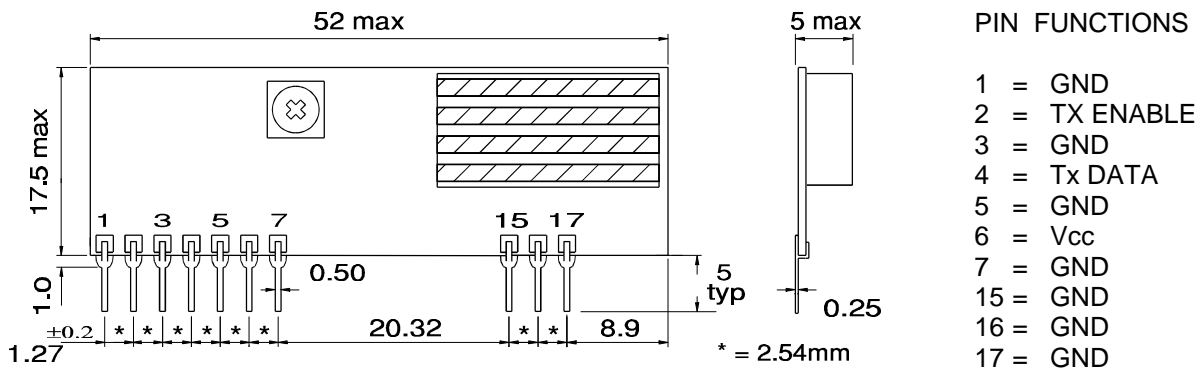
Description: FSK Transmitter Module, manufactured in SMT technology on glass-epoxy laminate, developed for fixed systems applications.

Highlights: Stand-by supply current lower than 0.1µA.
TX Data Input is TTL or CMOS logic compatible.

Developed according to I-ETS 300 220 and prETS 300 683 European Standard.
German registration n° G131863J, recognized in Austria and Svizzera (5V ver.).
TX ENABLE function, must be LOGIC HIGH to operate the transmitter.

Applications: Domestic Security, Surveillance Systems, Data Transmission.

Mechanical Characteristics



Abs. Max. Ratings: Power Supply, Vcc, pin 6 : + 18 Volt
Voltage, with respect to GND of Tx Data, pin 4 : ± 18 Volt
Storage Temperature : - 40 ÷ + 100 °C

Electrical Characteristics in the Temperature Range -20 + 70°C.

Parameter	Min.	Typ.	Max	Units	Note
Supply Current (Vcc= 5 ± 0.5V)	-	8	9	Volt	
Supply Current (Vcc= 12 ± 1V)	-	12	14	mA	
Carrier Frequency	433.82	433.92	434.02	MHz	
Frequency Deviation (Δf _p)	-	50	-	KHz	
Radiated Power (Vcc= 5V)	-	-15	-	dBmERP	
Radiated Power (Vcc= 12V)	-	-10	-	dBmERP	
Logic Low	-0.7	-	0.2	Volt	
Logic High	1.5	-	15	Volt	
Baud Rate	-	-	19200	Baud	

Mipot S.p.A - Via Corona, 5 - Z.I.
34071 CORMONS (GO)
ITALY

Tel (+39) 0481 - 630200
Fax (+39) 0481 - 62387
e-mail: mipot@mipot.com
www.mipot.com

Mipot S.p.A. reserves the right to modify the specifications without notice.